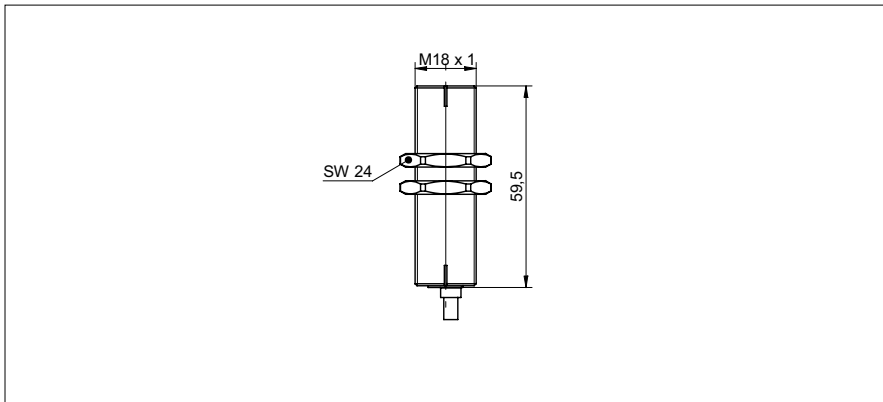


Hall sensors

MHRM 18P5524

dimension drawing



general data

version	full metal
sensor type	differential hall sensor
working distance max.	0,7 mm (module 1), 1,8 mm (module 2)
min. gear size	> module 1
gear width	> 6 mm
gear material	ferromagnetic

electrical data

switching frequency range	1 ... 20 kHz
voltage supply range +Vs	8 ... 28 VDC
current consumption max. (no load)	20 mA
output A	PNP
output B	none
output current	< 40 mA
voltage drop Vd	< 2 VDC
short circuit protection	yes
reverse polarity protection	yes, Vs to GND

mechanical data

type	cylindrical threaded
housing material	stainless steel
dimension	18 mm
housing length	60 mm
connection types	cable FEP, 2 m
front of sensor durable against pressure	20 bar

ambient conditions

operating temperature	-40 ... +120 °C
protection class (sensing face)	IP 68
protection class (sensor)	IP 67

photo



connection diagram

